



Industrial Unmanaged PoE Switch BI808PG2F series

❖ Overview

BI808PG2F is a 10-port Industrial unmanaged PoE switch that supports up to 8 10/100/1000M PoE ports, 2* 1000M SFP fiber ports. 8 10/100/1000M ports support PoE+, conforming to IEEE 802.3af/at standard, 2 port Hi-PoE power up to 60W, 6 port PoE power up to 30W.

BI808PG2F provides two modes, Default and VLAN, to adapt to various complex environments. At the same time, it supports the PoE auto-check function, which is specially designed to solve the problem of equipment frozen and restart the frozen equipment automatically, which greatly reduces the difficulty of project maintenance.

BI808PG2F has a high anti-interference ability, the product supports 6KV surge protection, and 8KV contact/15KV ESD protection. BI808PG2F supports wall hanging, desktop and Din-rail installation, reliable and durable, and can be used in security network video monitoring, network engineering and other occasions.

❖ Picture



❖ Features

- ❖ With 8*10/100/1000M PoE downlink ports, 2*1000 SFP fiber port;
- ❖ Support 2 port PoE power each up to 60W, 6 port PoE power each up to 30W.
- ❖ Provides two modes of Default and VLAN to adapt to various complex environments.
- ❖ It supports the PoE auto-check function, which is specially designed to solve the problems of equipment frozen. It can automatically detect the frozen PD equipment and restart the ports' output of PSE, and restart the PD device. It greatly reduces the maintenance difficulty of engineering.
- ❖ Support relay alarm for power off, network broken, PoE off.
- ❖ 8KV contact/15KV air ESD protection.
- ❖ Support working temperature -40°C~75°C.



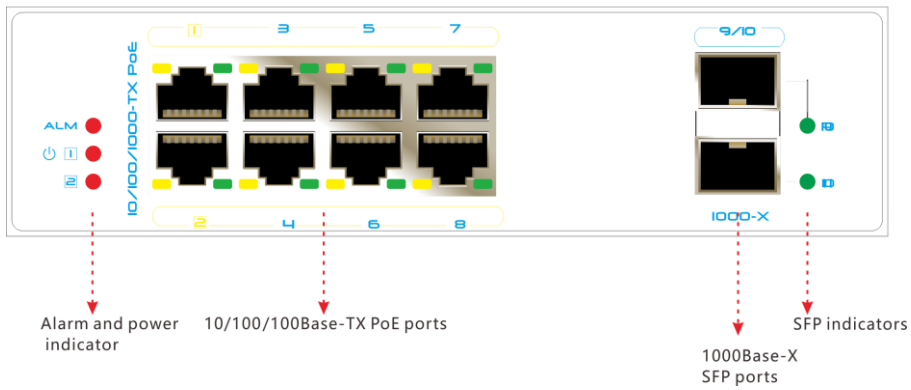
Industrial Unmanaged PoE Switch BI808PG2F series

❖ Specifications

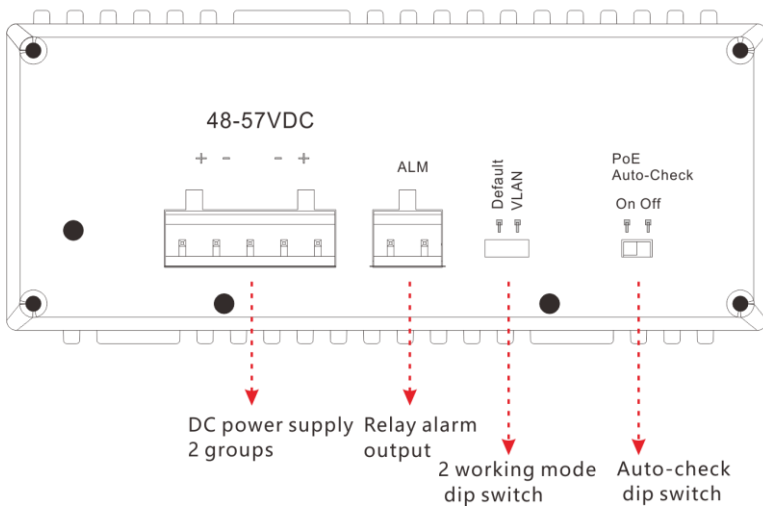
Parameter	Specifications
Power supply	Powered by power adaptor
Range of voltage	DC 48~57V
Consumption	Self-consumption<5W
Downlink ports	Ports 1~2 10/100/1000Base-T 60W PoE RJ45(IEEE802.3bt,also support IEEE 802.3af/at) 3~8 10/100/1000Base-T 30W PoE RJ45(IEEE 802.3af/at)
Uplink ports	Ports 9~10 1000 SFP slot
PoE Auto-check	If detect the frozen PD device, restart it
Working mode	Default mode: normal switch mode. VLAN mode: ports 1 ~ 8 are isolated from each other and can only communicate with the upper port; restrain the network storm; turn off the flow control.
Cable and distance	Use cat5e/6,100m max
Standard	IEEE802.3, IEEE802.3u, IEEE802.3z
Switch fabric	20Gbps
Though put	14.9Mpps
Buffer	1M
MAC address table	8K
Indicator	Power: 1 *red ; Uplink 8~10: green LEDs indicate Link/Act Downlink 1~8: On RJ45 green LEDs indicate Link/Act, yellow LEDs indicate PoE
Protection	Surge: 6KV, standard: IEC61000-4-5 ESD: 6KV: contact 8KV: air, standard:IEC61000-4-2
Working temperature	-40℃~75℃
Storage temperature	-40℃~85℃
Humidity	0~95%(No condensation)
Dimension(L×W×H)	165 mm×114 mm×50mm
Material	Aluminum
Color	Black
Net-weight	1000g

❖ Panel diagram

Front panel



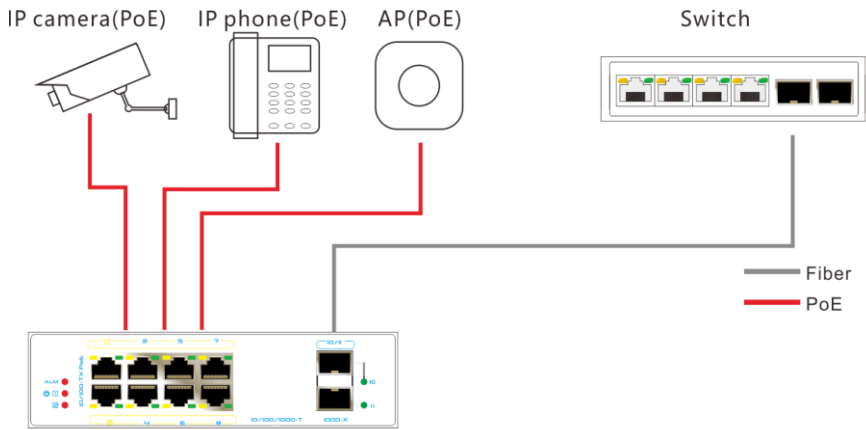
Left panel



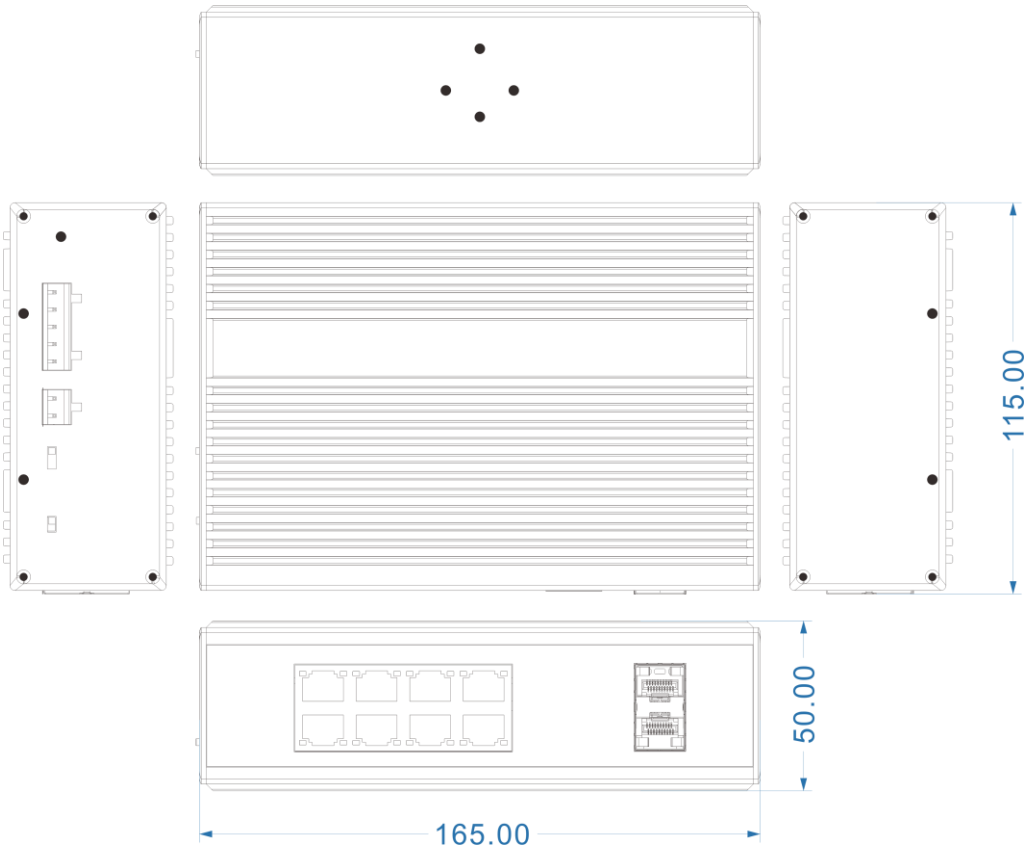


Industrial Unmanaged PoE Switch BI808PG2F series

❖ Application



❖ Dimensions





Industrial Unmanaged PoE Switch BI808PG2F series

❖ Order information

Model	Description
BI808PG2F	8*10/100/1000 PoE RJ45 ports, 2 1000M SFP Fiber port, 1~2 support 90W, 3~8 port support 30W. Default, VLAN working mode. PoE auto-check. 240W power adaptor. 1 channel relay alarm for power off, ports PoE down, ports link off. DC48~57V power input.
BI8082G2F	8*10/100/1000 RJ45 ports, 2 1000M SFP Fiber ports; Default, VLAN working mode. 1 channel relay alarm for power off, ports PoE down, ports link off. DC12~60V power input.

BORN ELECTRONICS LIMITED

ADDRESS:

#157
Sixth Avenue
E12 5PT
London
United Kingdom
Phone: +44 7981 658911
Email: info@bornelectronics.com

WARRANTY:

2 YEARS (EXPANDABLE UPTO 4 YEARS)